

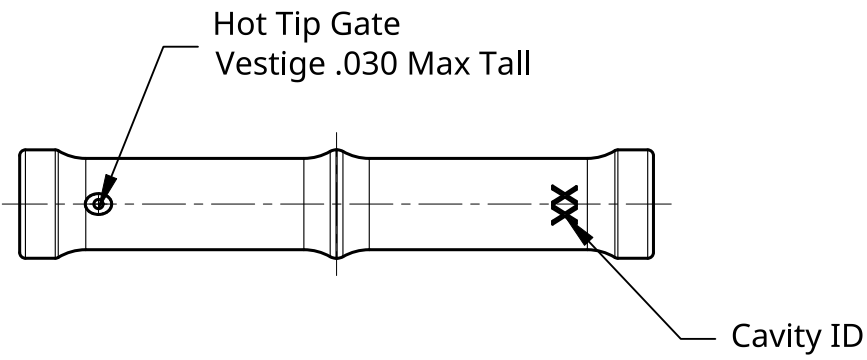
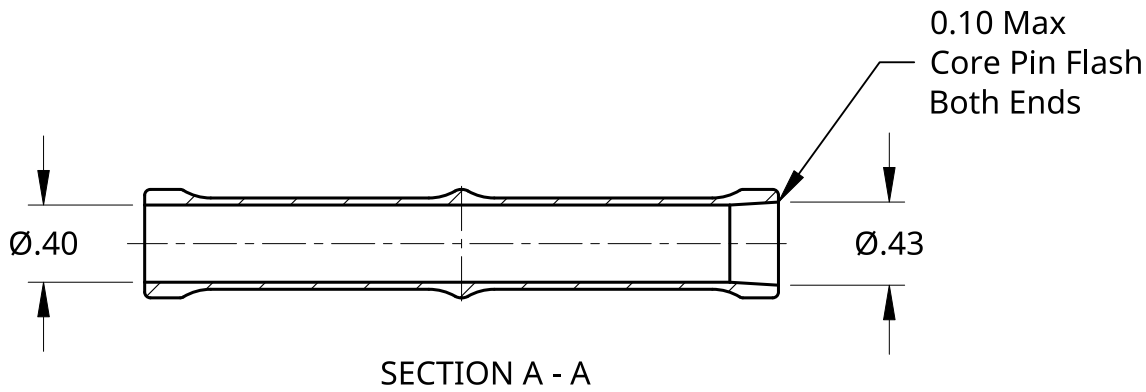
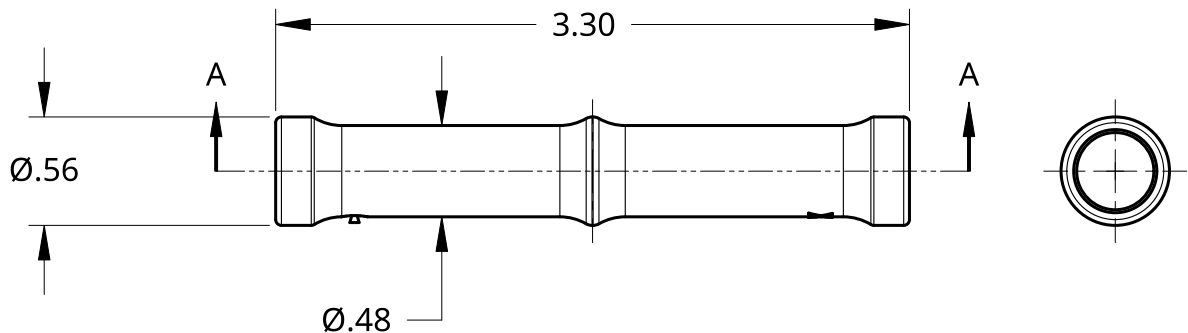
2

P_L 1

Rev	Description	Date	By
A	NEW CAD FILE	08AUG23	JZ

B

B



A

A

UNLESS OTHERWISE SPECIFIED, DIMENSIONS ARE IN INCHES .XX = ±.060 ANGULAR = ±2° .XXX = ±.030 FRACTIONAL = ±1/16 SURFACE FINISH ✓		NAME	DATE
	DRAWN	DAVID HIDDING	02/11/2024
	CHECKED		
	APPROVED		
DO NOT SCALE DRAWING			
BREAK ALL SHARP EDGES AND REMOVE BURRS	PROJECT	DMP-E-0476	
THIRD ANGLE PROJECTION	MATERIAL	FINISH	
	HDPE		

	DANA MOLDED PRODUCTS, INC. 810 COMMERCE PKY, CARPENTERSVILLE, IL 60110 847-783-1800		
	TITLE DM GRIPS NO SMEAR		
SIZE	DWG NO.		REV.
A	DMP-E-0476 - 02		A
SCALE	WEIGHT	SHEET	
1:1		1 of 1	

2

1