

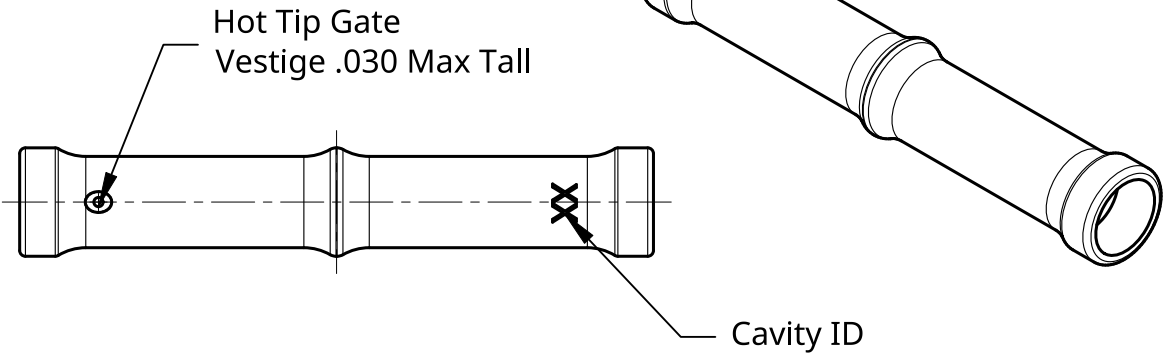
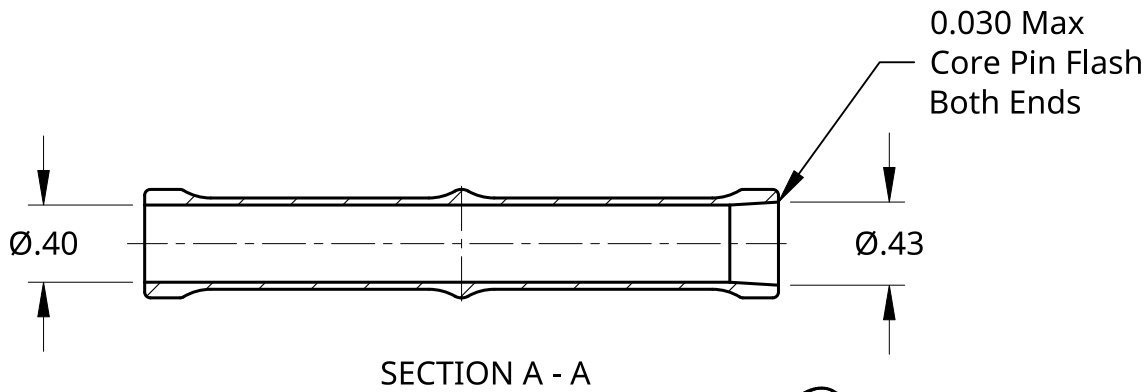
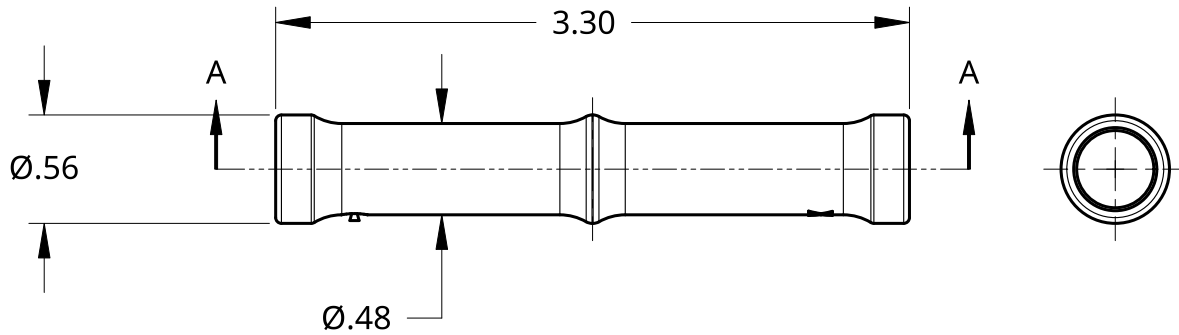
2

P_L 1

Rev	Description	Date	By
A	NEW CAD FILE	08AUG23	JZ
B	CORRECTED FLASH TOLERANCE, ADD ISO VIEW	06/06/24	DEH

B

B



A

A

UNLESS OTHERWISE SPECIFIED, DIMENSIONS ARE IN INCHES .XX = ±.060 ANGULAR = ±2° .XXX = ±.030 FRACTIONAL = ±1/16 SURFACE FINISH ✓	DRAWN	DAVID HIDDING	02/11/2024
	CHECKED		
	APPROVED		
DO NOT SCALE DRAWING	PROJECT	DMP-E-0476	

DMP DANA MOLDED PRODUCTS, INC.
 810 COMMERCE PKY, CARPENTERSVILLE, IL 60110
 847-783-1800

TITLE **DM GRIPS NO SMEAR**

THIRD ANGLE PROJECTION	MATERIAL	FINISH
	HDPE	

SIZE	DWG NO.	REV.
A	DMP-E-0476 - 02	B
SCALE	WEIGHT	SHEET
1:1		1 of 1

2

1