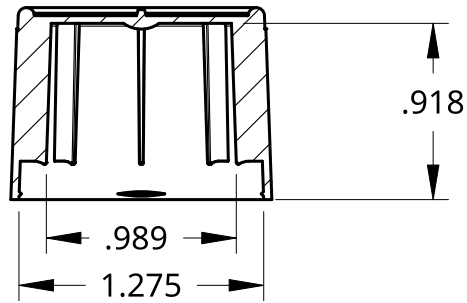
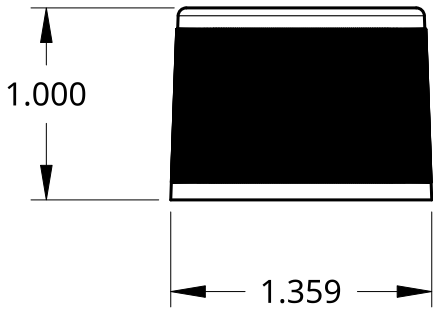
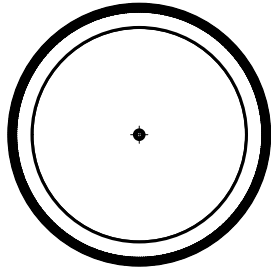


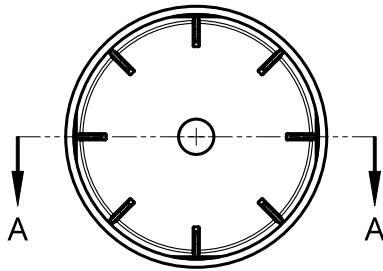
2

1

Rev	Description	Date	By
A	NEW PRODUCT SALES DRAWING	12/07/23	JZ



SECTION A - A



UNLESS OTHERWISE SPECIFIED, DIMENSIONS ARE IN INCHES  .XX = ±.060    ANGULAR = ±2° .XXX = ±.030    FRACTIONAL = ±1/16  SURFACE FINISH    ✓		NAME	DATE
	DRAWN	JIM ZIELINSKI	08/08/2023
	CHECKED		
	APPROVED		
DO NOT SCALE DRAWING			
BREAK ALL SHARP EDGES AND REMOVE BURRS	PROJECT	DMP-E-0479	
THIRD ANGLE PROJECTION	MATERIAL	FINISH	
	HDPE HI-1252 (12MELT)		

	DANA MOLDED PRODUCTS, INC. 810 COMMERCE PKY, CARPENTERSVILLE, IL 60110 847-783-1800		
	TITLE    DM 1" STACKER W/RIB - DS - XXX  8 x Support Ribs		
SIZE	DWG NO.		REV.
A	DMP-E-0479-03		A
SCALE	1:1	WEIGHT	SHEET
			3 of 3

2

1